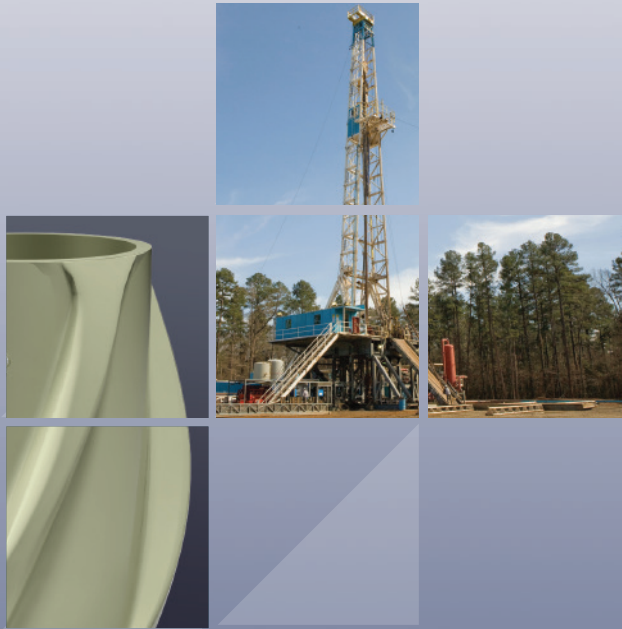


# SLIP 'N SLIDE™

## A Low Friction Engineered Polymer Centralizer



### Centralizer Advantages

Drilling Tools International is the exclusive provider of the Arsenal low friction engineered polymer centralizer – Slip 'N Slide™. Used during casing running and cementing operations, the Slip 'N Slide ensures casing strings efficiently reach total depth, provides optimal standoff for mud displacement and enhances cementing operations.

The one-piece centralizer has an extremely low coefficient of friction, unlike many plastic and bow spring centralizers, the Slip 'N Slide withstands high-impact loading and is highly wear resistant.

### Features

- Durable wear resistant engineered polymer
- High compressive strength
- Light weight, low density material
- Short compact design
- No vulnerable weak points
- Maintains integrity in extreme temperatures
- Made in the USA



**Corporate**

3701 Briarpark Dr • Ste 150  
Houston, TX 77042  
832.742.8500

**Offshore/International  
and Manufacturing**

1149 Smede Hwy  
Broussard, LA 70518  
337.856.0333

**Product Sales**

337.364.9244

**Other Drilling Tools International Centers:**

Houston, TX • 281.645.2010

Midland, TX • 432.563.0676

Odessa, TX • 432.248.8350

New Iberia, LA • 337.256.5848

Oklahoma City, OK • 405.604.2763

Bakersfield, CA • 661.869.1752

Casper, WY • 307.237.5248

Charleroi, PA • 724.565.5682

Minot, ND • 701.818.5724

Williston, ND • 701.609.8702

Nisku, Alberta, Canada • 877.570.1962

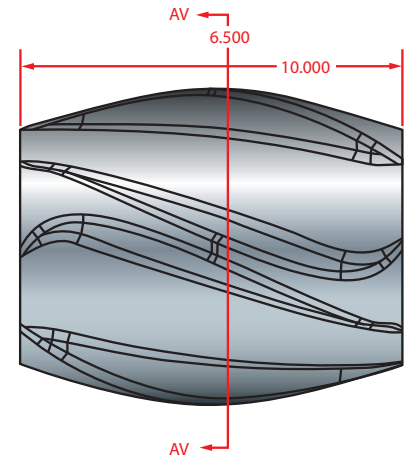
# SLIP 'N SLIDE™

## BENEFITS

- Blade design induces turbulent flow for improved cutting removal and cementing placement
- Increases the chance of a successful cementing job and reaching TD
- Light weight for safe handling
- Easily millable
- Eliminates the need for friction reduction tools
- Allows liners to be consistently rotated whilst cementing providing better zonal isolation
- Provided a bearing while drilling with casings or with liners to ensure they reach target depth
- Guaranteed standoff
- Improved fluid dynamics
- High temperature rating
- Unmatched torque and drag reduction
- Extends the current well construction boundaries on extended reach drilling and highly deviated wells

## APPLICATIONS

- Extended reach/horizontal wells
- Sand screen and multi-lateral completions
- Cemented or non-cemented horizontal liners
- Deploying deep set packers
- Tough open hole conditions
- Rotating cemented liners
- HPHT



## SPECIFICATIONS

Casing Size	4.50"	5.00"	5.50"	5.50"	7.00"
Length	10.00"	10.00"	10.00"	10.00"	10.00"
Blades	4	4	4	5	4
Blade Type	Spiral	Spiral	Spiral	Straight	Spiral
Operating Temp	420F	420F	420F	420F	420F

Drilling Tools International, Inc. is a leading provider of downhole tools to the land and offshore drilling markets. For nearly 40 years our company has been guided by the principals of Strength, Innovation and Performance. We consistently deliver world class customer service while providing quality products that meet the demanding drilling applications of today's market.

Our Quality Management System is certified in compliance to ISO 9001, and API Spec Q1 and our manufacturing is licensed to API Spec 7-1. Our Quality Management System governs all of our processes from planning, to process control, to delivery. This ensures that we consistently manufacture products that not only meet API standards but also meet the ever-changing needs of our customers.